

壓力比例閥 Proportional Pressure Regulator

Dome loaded pressure regulator



在此壓力比例閥為提供流量放大器引導信號的壓力，通過控制隔膜頂部的壓力，我們可以控制流量放大器的輸出壓力。流量放大器亦稱為圓頂式或先導式壓力調壓閥，它可以是調壓閥或背壓閥的應用。透過搭配流量放大器的使用，亦能用於水、油、蒸氣...等介質，能解決壓力比例閥對於氣體或流體的限制，也能滿足大流量及高解析度的需求。

This Proportional Pressure Regulator provides pilot pressure to the ratio relay volume booster. By controlling pilot pressure at the top of the diaphragm, we can control the output pressure of volume booster. Volume booster is also called a dome-loaded or pilot-operated pressure regulating valve, which can be used as pressure regulating valve or back pressure valve.

By Combining a proportional pressure regulator with a volume booster, one can regulate pressure and flow of special media such as water, oil, steam, etc. It can also solve the flow rate limitation offered by single proportional pressure regulator.

產品規格 Specifications

系列 Type	壓力比例閥 Proportional Pressure Regulator		
型號 Model	QKL-B1T	QKL-B1S	QKL-B4H
輸入訊號 Input Signal	4-20mA / 0-10V / RS485		
輸出壓力 Output Range	0~8 bar	0~30 bar	0~70 bar
監控信號 Monitor Output	1-5V / 0-10V / 4-20mA		
工作電源 Power Supply	DC24V(≤4W)	DC24V(≤4W)	DC24V(≤14W)
系列 Type	流量放大器 Volume Booster		
型號 Model	1P0R2	120P2	
介質 Medium	一般空氣、特殊氣體、水、油、蒸氣...等 Air、Gas、Water、Oil、Steam...etc		
*口徑 Port	G3/4"、1"	G1"1/2、2"	
輸出壓力範圍 Output Range	0~15、1~50	0~15、1~50	
CV 值(CEI EN 60534-2)	9.8 m ³ /hr	25 m ³ /hr	

*如需 3/4"以下的口徑，請與業務洽詢。If you need a port below 3/4", please contact our sales.

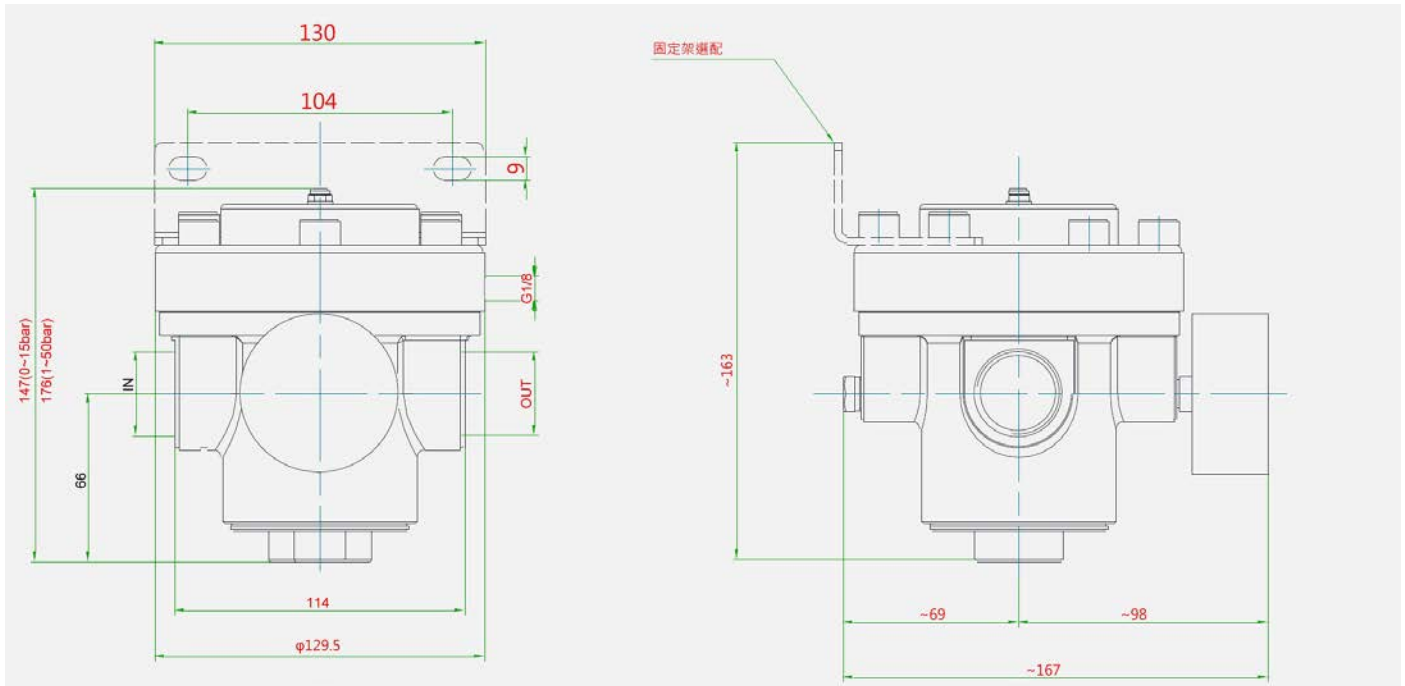
壓力比例閥 Proportional Pressure Regulator

Dome loaded pressure regulator



外觀尺寸 Overall Dimension

1P0R2



120R2

